



## What is an incineration toilet?

When choosing the Cinderella Incineration Toilet, you are assured an environmentally friendly alternative. The ash remains are completely free of pathogens and harmful bacteria, retaining only nutrients such as potassium and phosphorus, ideal for fertilizing your garden.

An incineration toilet burns biological waste at high temperatures, leaving only an insignificant quantity of ash amounting to the equivalent of about one teacup for four people during one week of use. Waste is burned in an enclosed incineration chamber, and the non-polluting incineration gases are expelled through a separate ventilation pipe. Incineration toilets are a complete waste solution, in that they get rid of ALL waste without having to be collected and transported elsewhere. Most other toilet systems on the market require that the user transports the end waste to a suitable deposit, but with the Cinderella Incineration Toilet, the odorless and hygienic solution ends up as biodegradable ash, perfect for fertilizing our gardens. Incineration toilets are a popular alternative for toilet installations even in the most remote areas, since the solution does not require a water supply or a costly drainage solution. Cinderella offers several types of incineration toilets using both electricity and gas as sources of energy.

### Why choose an incineration toilet?

The freedom to build and travel demands finding practical solutions in our everyday lives. Not the least of which is arriving at comfortable and innovative solutions to handling biological waste. Many challenges with regards to water supply, drainage solutions and infrastructure for

holiday homes and other quarters are easily solved with the Cinderella. People often face major costs and strict regulations when installing sanitary solutions. In remote areas, running water, drains and electricity are still difficult to access, but an incineration toilet makes it possible to achieve approximately the same level of comfort enjoyed at home, without major costs and installation work for water and plumbing. Incineration toilets require little space and are simple to install, resulting in significant savings on the total installation cost.

## **Unique advantages of incineration toilets**

- No water supply or drainage connections required
- Not dependent on an electric mains supply
- Childproof
- Requires little space
- Simple installation
- No waste handling, only an insignificant quantity of ash to be emptied
- No need to supply bark, chemicals, etc.
- No insect issues

## **Why choose Cinderella?**

- The Cinderella toilet system is manufactured in Norway and is the market leader in Europe, with more than 60,000 customers worldwide. Our toilets are quality products, very reliable in operation and well-functioning in any environment, any temperature.
- Cinderella incorporates software that adapts and optimizes the incineration process according to the amount of waste being processed for energy efficient utilization.
- Cinderella is equipped with an information display for operational messages (Comfort)
- Cinderella's capacity is higher than that of other incineration toilets and it is the only product of its kind that will notify you when the ash container needs to be emptied.
- Cinderella is the only incineration toilet that is both childproof and approved by NEMKO (The Norwegian Certification Agency), and it is impossible to access the incineration chamber while it is processing.
- With its clean lines and high-quality finish, Cinderella makes a favourable impression in any bath or toilet room, regardless of standard.
- Cinderella is best in test, according to Testfakta Sweden

When choosing a Cinderella Incineration Toilet, you are assured an environmentally friendly solution. The ash is completely free of bacteria and contains nutrient salts with potassium and phosphorus. Cinderella does not pollute the environment, and therefore will not require any form of approval in connection with installation in vulnerable areas. According to energy consultancy, Norsk Energi, tests conclude that Cinderella's emissions are low.

## **How easy are they to use?**

Cinderella incineration toilets are easy to use, and Cinderella toilet bags safely transport the waste to the combustion chamber. This makes the toilet very hygienic and clean, compared

to other options. Lift up the lid and seat. Place an original Cinderella toilet bag in the bowl and put the seat back down. Use the toilet as normal and put the lid down when you are done. Press the "flush button" and the bag is released into the combustion chamber. The toilet is now ready for use again.

## **How much are they and what do you get?**

Cinderella Comfort - £3,869.50

Cinderella Travel – £4,142.00

Cindarella Freedom - £4,142.00

### **Packages include:**

Cinderella Incineration Toilet

User manual

Cinderella original bowl liner (100 pcs)

2 year warranty

**\*\*\*Does not include installation – please ask for a quote\*\*\***

### **Installation**

Installing a Cinderella is easy and requires no external tanks, water or drainage. Pipes to allow inlet and outlet of air must be installed, and it is important that this is done in accordance with company recommendations to ensure that your toilet performs correctly. We offer an installation service, or alternatively you can purchase an installation kit to do it yourself.

Cinderella Travel Installation Kit - £225.26

Cinderella Freedom/Comfort Installation Kit - £148.27

### **Approved product**

Cinderella Classic meets all regulatory and necessary approvals and certifications. This is extremely important for us as suppliers and ensures that you, as our customer, receive a high quality product.

### **Alternative models**

For those with non-existent or limited connections to electricity, Cinderella offers a model that utilizes propane gas combined with a 12V power supply; [Cinderella Freedom](#) (see below). This model is perfect for living off grid, for leisure homes, mountain cabins or other installations where alternative and green power is preferred.

# Catalogue of Products



## Cinderella Travel Incineration Toilet

Customised for caravans  
and motorhomes

### About the product

Cinderella Travel, the combustion toilet for caravans and motorhomes, represents a whole new way of thinking about waste management. Cinderella Travel is manufactured in Norway, and renowned for its long life, high quality, high capacity – not to mention its sustainable, environmentally friendly design and performance with no polluting emissions. Cinderella Travel makes it convenient and hygienic to get rid of toilet waste, whether you are on the road or permanently installed at a campground.

Cinderella's incineration toilets incinerate urine and excrement at a high temperature, leaving only a small amount of ash. Four people using the toilet for a week will only produce about one teacup of ash. Cinderella is a total waste solution, in that it gets rid of all toilet waste. And, it doesn't have to be transported elsewhere, as required by other toilet systems.

Cinderella Travel was launched on the market in 2013 and is a further development of the popular Cinderella Eco Group incineration toilets that have been available since 1999. Travel is environmentally friendly and does not require a connection to the power grid. All you need is propane and 12V control current.



Cinderella Travel can be retrofitted by our expert professionals to ensure maximum performance. In most cases, Cinderella Motion may be installed as a replacement toilet in existing motor homes. A replacement installation will require removal of the old toilet solution, installation of infrastructure for 12V power and gas, and sufficient air supply to the toilet must be secured. A waste gas

pipe from the toilet has to be installed and led out over the roof, terminated with a chimney top suited for the purpose.

A correctly installed incineration toilet will provide many years of problem-free operation, and we are continuously training new dealers all over the world to do this job.

### Travel Features

- This toilet uses propane gas and 12VDC
- Insertable bowl liners
- 110g propane per flush
- 2 year guarantee
- 12VDC touchpad operation
- Child safe
- All that remains is pure ash
- Eco credentials
- No need for drainage or water
- Optimal incineration process
- Suitable for mobile and off-grid applications
- Comes with chimney and extension (pictured right)



### Details and specifications

- Voltage 12VDC
- Stand-by power 0.005 Amp
- Incineration power 1.3 Amp
- Gas propane (30m Bar)
- Incineration power 3000W (burning)
- Height: 540mm
- Height (seat): 490mm
- Width: 390mm
- Depth: 590mm
- Weight: 20kg
- Capacity: up to 6 persons

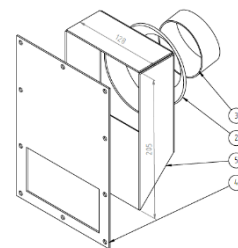
**Price (not including installation) -  
£4142.00**

**Toilet plus Installation Kit - £4358.26**

**Toilet plus Installation Kit and Air Inlet  
Flange - £4580.62**



Installation kit



Air inlet flange

**\*\*\*Please Note\*\*\***

**When ordering the Travel toilet you will need an installation kit for correct installation. The warranty may be void if the unit is not installed correctly.**

*These toilets are designed and warrantied for leisure use. Domestic use will incur higher maintenance intervals*





# Cinderella Comfort Incineration Toilet

Customised for cabins,  
camping pods and  
leisure homes

## About the product

Our water free incineration toilet, the Cinderella Comfort, is Cinderella Eco Group's latest concept for cabins and leisure homes, renowned for its sustainable and environmentally friendly design and performance, with no polluting emissions. The Comfort comes with a closed air system, which creates a better indoor environment and doesn't affect the temperature of the room where the toilet is installed. Cinderella Comfort also comes with an LCD display that shows notifications and status at all times.



We named this model "Comfort" because it provides a safe, comfortable and user-friendly experience compared to other incineration toilets on the market. Cinderella Comfort was named "Best in Test 2014 and 2018" by the independent Swedish product testing company Testfakta both times they tested the toilet. Comfort has a closed air system where fresh air for the incineration process is supplied via a separate air pipe, which provides a significantly better indoor climate. This prevents the room temperature from dropping and avoids conflicts with other air-dependent installations such as kitchen ventilation fans, fireplaces and wood-burning stoves.

**Price (not including installation) - £3,869.50**

**Toilet plus Installation kit - £4,017.77**

## Comfort Features

- A high quality product made in Norway
- Easy to use
- Childproof
- Low-noise

- Test-winning quality
- Scandinavian design
- LCD display with notifications
- Easy installation, closed air system
- Comfortable indoor climate, no smell
- Certified and approved in accordance with applicable regulations CE-marked
- Large capacity: 3-4 visits per hour
- Complete toilet solution, burns all waste
- No water supply required (no indoor or outdoor tank)
- Reliable, suitable for cold areas
- 2-year warranty

## Details and specifications

Seated height: 540 mm

Height: 600 mm

Width: 390 mm

Depth: 590 mm

Capacity: 3-4 visits per hour

Ventilation duct / pipes: 110 mm external dimensions

Incineration power: 2000 W

Energy consumption per incineration: 1-2 kWh

Power requirement: 220 - 240 V, 10A

Max weight tolerance: up to 200 kg



# Cinderella Freedom Incineration Toilet

Propane gas powered incineration toilet

## About the product

Cinderella Freedom is a propane-powered, water free incineration toilet that incinerates all toilet waste at high temperatures, producing a minimal amount of sterile ash. It is specially adapted for areas with limited or no access to the power grid. As with all toilets from Cinderella Eco Group, the Cinderella

Freedom doesn't require water or sewage, thus saving costly sewage connections. The toilet is

easy to install and comes with an easy-to-use LCD display which provides notifications and alerts when the ash container is full and should be emptied.

Cinderella Freedom is based on the same high quality that characterizes the Cinderella Classic and Comfort models, but uses propane gas instead of electricity to power the incineration process. This means that you can use your Cinderella Freedom incineration toilet even in areas where there is little or no access to 230V electrical power. The toilet is especially suitable for cabins that are not connected to the main power grid. All you need is 12V DC to control the electronics in the toilet.

## Freedom Features

- 230V power supply not required
- Perfect for powerless installations
- A high quality product made in Norway
- Easy to use
- Childproof
- Low-noise
- Scandinavian design
- LCD display with notifications
- Requires only 12V DC, a gas supply and inlet/outlet air
- Comfortable indoor climate, no smell
- Certified and approved in accordance with applicable regulations.
- Large capacity: 3-4 visits pr hour
- Complete toilet solution, burns all waste
- No water supply required (no indoor or outdoor tank)
- Reliable
- 2-year warranty



## Details and specifications

Seated height: 540 mm

Height: 600 mm

Width: 390 mm

Depth: 590 mm

Weight: 34 kg

Capacity: 3-4 visits per hour

Ventilation duct/pipe: 110 mm ext.

Standby electric power requirement: 0,005 Amp

Electric power requirement for incineration: 1,3 Amp

Gas consumption: 160-190 gr. pr. incineration

Maximum burner effect: 2,7 kWh

Power requirement: 12V DC 11-14,4 V, 4 Amp

Max weight tolerance: up to 200 kg

**Price (not including installation) - £4,142.00**

**Toilet plus Installation Kit - £4,290.27**



# Cinderella Comfort/Freedom Installation Kit

**£148.27**

## About the product

Cinderella installation kits for the Freedom and Comfort toilets are specially developed for the Cinderella Incineration Freedom and Comfort toilets. The kit adheres to strict demands for quality, environmental factors and production methods.



## The kit contains

- 3 x wall mounting bracket
- 4 x 1 metre OD 100mm pipe with socket
- Roof feed-through available if necessary (£28.52)

# Cinderella Travel Installation Kit

**£225.26**

## About the product

Cinderella Travel installation kit is specially developed for the Cinderella Incineration travel toilet. The kit adheres to strict demands for quality, environmental factors and production methods.

## The kit contains

- 2" stainless flexi tube
- Insulated ventilation pipe for flue
- 2" inlet air pipe
- Hose clips

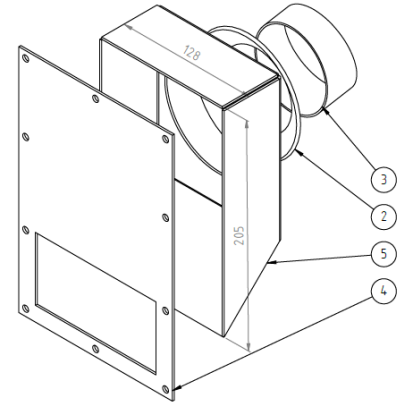


# Cinderella Travel Air Inlet Flange

**£263.76**

## About the product

External bolt on air inlet flange for the Cinderella Travel



## Incineration toilets for industry and health institutions

The professional interest in Cinderella Incineration Toilets is growing worldwide. Some of the solutions we provide are for the fishing industry such as feeding platforms in Norway and Scotland, crane manufacturers (crane cabins), railroad companies, mining and construction - and the building and construction industry (carts and site welfare, portable housing). We also provide solutions for emergency relief organizations where operational field teams are equipped with Cinderella Incineration Toilets.

***Please contact us with your specific needs.***

# Accessories

## Cinderella Bowl Liners

**£47.09**

Original Cinderella bowl liners for the Travel, Freedom and Comfort Incinerator toilets, 500 pce



## Bowl Liner Holders Stainless Steel - **£31.61** White Plastic - **£27.25**



Steel holder

### About the product

A practical white lacquered steel or plastic holder for your Cinderella bowl liners. Designed to fit Cinderella Incineration Toilets. Can hold a complete carton of 500 original liners. Colour: white

### Details and specifications

Plastic holder

Height: 280 mm

Width: 280 mm

Depth: 70 mm

## Easy cleaning and maintenance kit **£96.79**

## About the product

Maintenance kit for easy cleaning and maintenance of your Cinderella incineration toilet. The kit contains everything you need for the recommended maintenance of your Cinderella incineration toilet.



## Details and specifications

Cleaning set  
Brush for ash tray  
Exhaust brush  
Funnel for rinsing catalyst